



Mini contactor relay, 4NO/0NC, DC operated

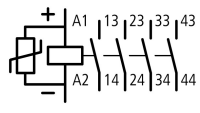


Powering Business Worldwide™

Part no. **DILER-40-G(220VDC)**

Article no. **010303**

Program

Product range			DILER Mini-contactors
Application			Contactors relays
Connection technique			Screw terminals
Rated operational current			
AC-15			
220 V 230 V 240 V	I_e	A	6
380 V 400 V 415 V	I_e	A	3
Conv. thermal current	I_{th}	A	10
Contacts			
N/O = Normally open			4 N/O
Contact sequence			
For use with			...DILE
Actuating voltage			220 V DC
Voltage AC/DC			DC operation
Code number and version of combination			
Distinctive number			40 E
Auxiliary contact module			
Interlocked opposing contacts		40E	Conforms to EN 50011 - terminal markings of the coil according to EN 50005
Interlocked opposing contacts	02DILE	42E	EN 50011 - Use preferably this combination
Interlocked opposing contacts	04DILE	44E	EN 50011 - Use preferably this combination
Interlocked opposing contacts	11DILE	51E	EN 50011 - Use preferably this combination
1 early-make contact, 1 late-break contact	11DDILE	51	EN 50005
Interlocked opposing contacts	13DILE	53E	EN 50011 - Use preferably this combination
Interlocked opposing contacts	20DILE	60E	EN 50011 - Use preferably this combination
Interlocked opposing contacts	22DILE	62E	EN 50011 - Use preferably this combination
1 early-make contact, 1 late-break contact	22DDILE	62	EN 50005
Interlocked opposing contacts	31DILE	71E	EN 50011 - Use preferably this combination
Interlocked opposing contacts	40DILE	80E	EN 50011 - Use preferably this combination
Instructions Contact numbers to EN 50011 Coil terminal markings to EN 50005 Integrated diode-resistor combination Coil rating 2.6 W			

Approbatoren

Product Standards	IEC/EN 60947-4-1; UL 508; CSA-C22.2 No. 14-05; CE marking
UL File No.	E29184
UL CCN	NKCR
CSA File No.	012528
CSA Class No.	3211-03
NA Certification	UL listed, CSA certified
Specially designed for NA	No

General

Standards			IEC/EN 60947, VDE 0660, UL, CSA
Climatic proofing			Damp heat, constant, to IEC 60068-2-78; Damp heat, cyclical, to IEC 60068-2-30

Protection against direct contact when actuated from front (EN 90274)			Finger and back-of-hand proof
Terminal capacities		mm ²	
Pozidriv screwdriver		Size	2
Max. tightening torque		Nm	1.2

Contacts

Overvoltage category/pollution degree			III/3
Rated insulation voltage	U _i	V AC	690
Rated operational current	I _e	A	
AC-15			
220/240 V	I _e	A	6
380/415 V	I _e	A	3
Conv. thermal current	I _{th}	A	10

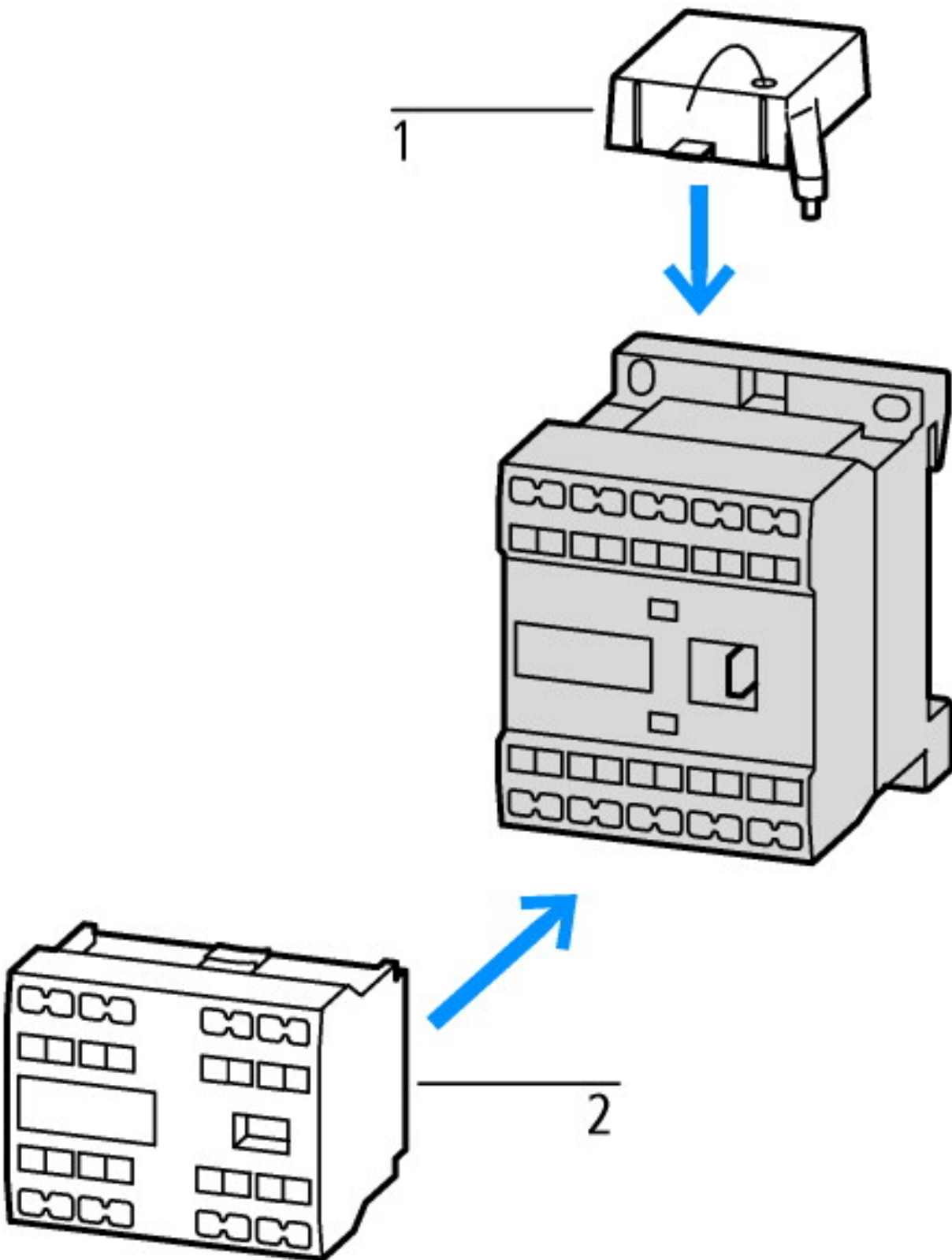
Magnet systems

Power consumption			
50 Hz	Pick-up	VA	25

Technical data according to ETIM 4.0

Connection type main circuit			Screw connection
Rated control voltage U _s at DC		V	220
Rated control voltage U _s at AC 60HZ		V	0
Rated control voltage U _s at AC 50HZ		V	0
Number of auxiliary contacts as changeover contacts			0
Rated operation current I _e , 400 V		A	3
Number of auxiliary contacts as N/Cs			0
Number of auxiliary contacts as N/Os			4
Voltage type for actuation			DC
Number of auxiliary contacts as N/Os, leading			0
Number of auxiliary contacts as N/Cs, delayed switching			0

Characteristics



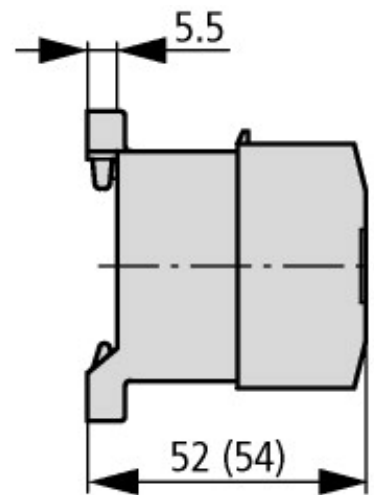
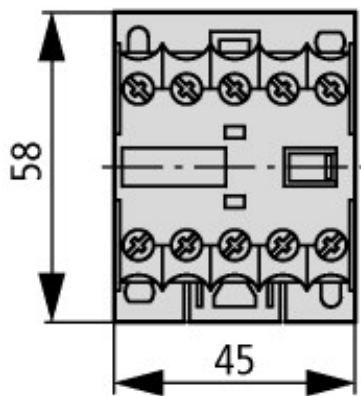
1: Suppressor
2: Auxiliary contact module

CAD-Data

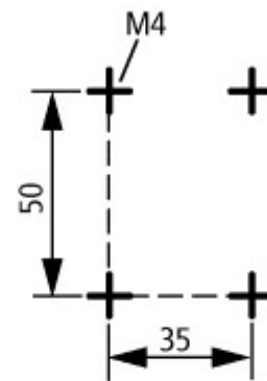
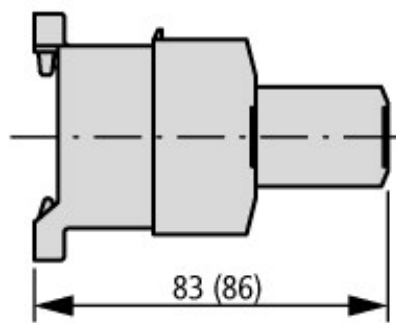
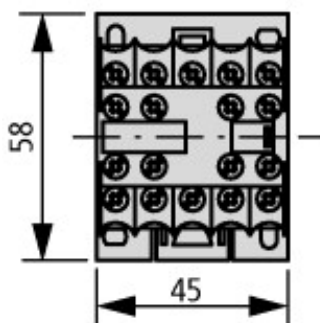
Product standards CAD data:

<http://eaton-moeller.partcommunity.com>

Dimensions



DILER-...
DILER-...-G



DILER-... + ...DILE
DILER-...-G + ...DILE

Additional product information (links)

IL03407009Z (IL03407009Z) Mini contactor relay	ftp://ftp.moeller.net/DOCUMENTATION/AWA_INSTRUCTIONS/IL03407009Z2010_10.pdf
Installation Instructions	http://www.moeller.net/en/support/instructions_awa.jsp
Documentation	http://www.moeller.net/en/support/index.jsp